



Tap into the TEEC

Technology & Education Executive Council
at Skillpoint Alliance

Current Programming

June 2010



FIRST® LEGO® League



Vision:

“To transform our culture by creating a world where science and technology are celebrated and where young people dream of becoming science and technology heroes.”

FIRST[®] LEGO[®] League

How it works:

- Research real-world problems
- Design, build, and program robots using LEGO[®] MINDSTORMS[®]
- Work with industry mentors
- Present findings and designs



FIRST[®] LEGO[®] League

Current success:

- 40% growth since 2008
- 140 teams = 1,400 students
- 80 schools
- 400 volunteers, coaches, and mentors



Taking it to scale:

- Launch 21 new teams (15% growth)
- Expand in San Marcos / San Antonio
- Create scholarship fund for NEW teams

FIRST® LEGO® League

How you can help:

- Become a Sponsor
- Mentor a team
- Volunteer at an event
- Host a tournament



Discover Engineering



Vision:

“Introduce engineering and scientific exploration by bringing high-tech professionals and hands-on activities into the classroom”

Discover Engineering

How it works:

- Host training events at high-tech companies
- Trained volunteers are matched with a school
- Volunteers bring activities to the classroom

Current success:

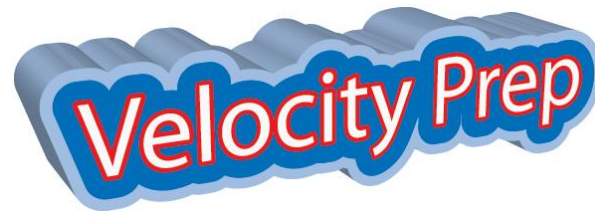
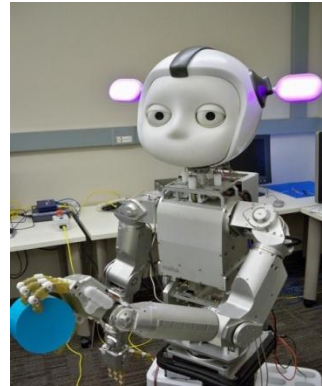
- Hosted 4 training events in 2010
- Reached 15,000 students
- Engaged 300 volunteers

How you can help:

- Host a training at YOUR company
- Encourage employees to participate
- Sponsor material costs for activities



Velocity Prep



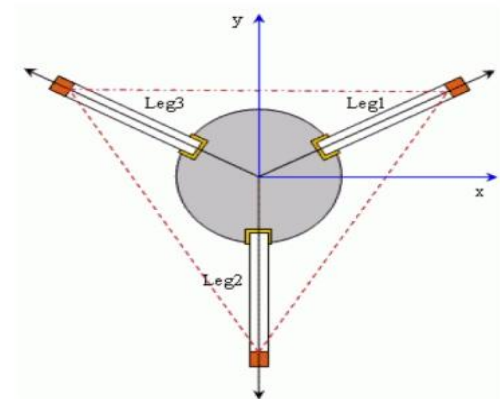
Vision:

Team of students take part in a life-changing program while gaining relevant work experience and exposure to Central Texas career paths

Velocity Prep

How it works

- 4-week program | 160 hours
- Students form a consulting company;
- Client provides a real-world project;
- Conduct site tours and interviews;
- Complete a final product and get paid!



Velocity Prep

Current success

- TEEC created program in 2001
- Hosting 3 Velocity Preps
- Reaching 60 HS students + 6 College students

How you can help

- Host a site tour
- Be a client
- Sponsor students stipends & equipment
- Host a Velocity Prep at your ISD

Taking it to scale

- Offer Velocity Preps in ALL regional ISDS
- Secure clients for **4** key programs
- After-school version



Additional Funding Supports

Diversity in Engineering



Robotics Access



College Exposure

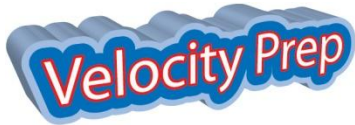
- Ingram School of Engineering (TX State)
- Cockrell School of Engineering (UT-Austin)



Opportunities for Engagement



- **FLL | FIRST® LEGO® League**
 1. Sponsor a team
 2. Mentor a team in your area
 3. Host a tournament
 4. Volunteer at an event
 5. Underwrite an award category at the Championship



- **Velocity Prep**
 1. Invite students for a site tour on your campus
 2. Host a Velocity Prep at your ISD
 3. Be a client for one (1) Velocity Prep company
 4. Sponsor students stipends & equipment
 5. Provide expertise in the classroom or by Skype



- **Discover Engineering**
 1. Host a training at your company
 2. Encourage employees to participate
 3. Sponsor material costs for activities

Lonny Stern

Director, Technology & Education Executive Council (TEEC)

LStern@skillpointalliance.org

512.323.6773 ext 103

Twitter: skillpointTEEC